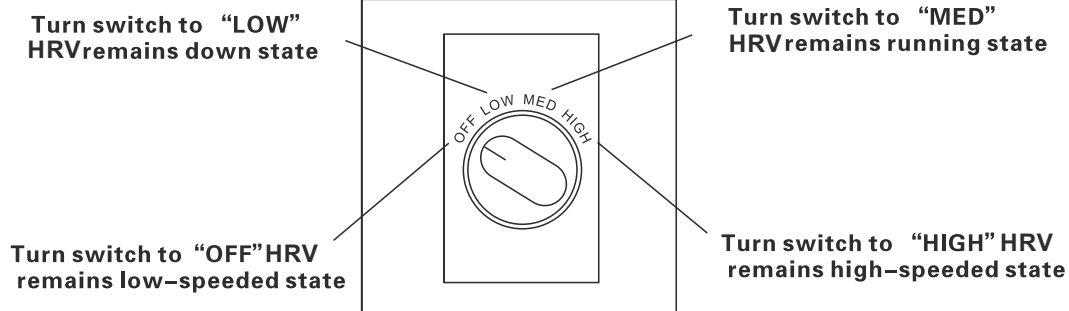


Instruction of DC-3S ---3 speed controller

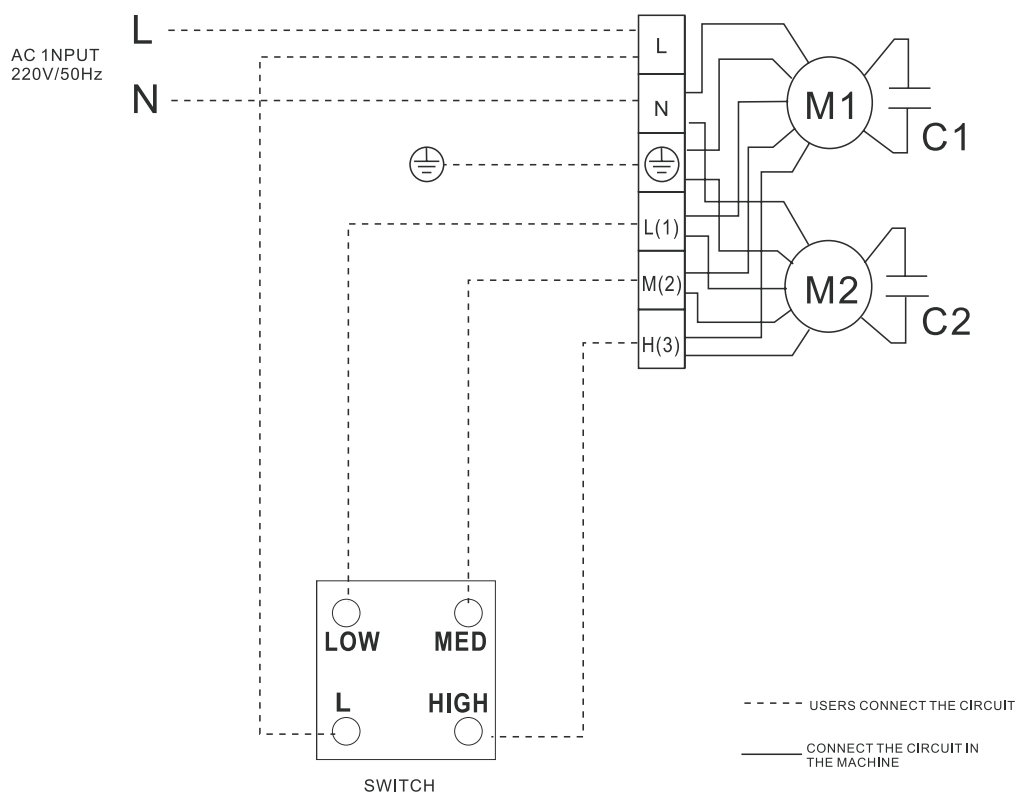
Manipulation guide

Special for the Energy Recovery Ventilators



Connection of circuit

Please use the schematic diagram as follow to connect controlling circuit of HRV :



Explanation:

- wire connection in broken lines in the wiring diagram must be conducted by the builder.
- After completion of wiring, check again there is no wrong wiring before power"ON".
- We recommend that you use a switch with more than 3mm distance to break contact and more than 10A rated current.
- We recommend that you use the polyvinyl chloride insulated and sheathed cables for fixed wiring with ϕ 1.38, ϕ 1.78 in diameter or 1.5 mm^2 – 2.5 mm^2 in conformity.